

## GENERAL INSTALLATION INSTRUCTIONS - Penn Curved Table Set

PLEASE READ THESE STEPS BEFORE PROCEEDING

Included with your Penn Curved Table Set is the following hardware:

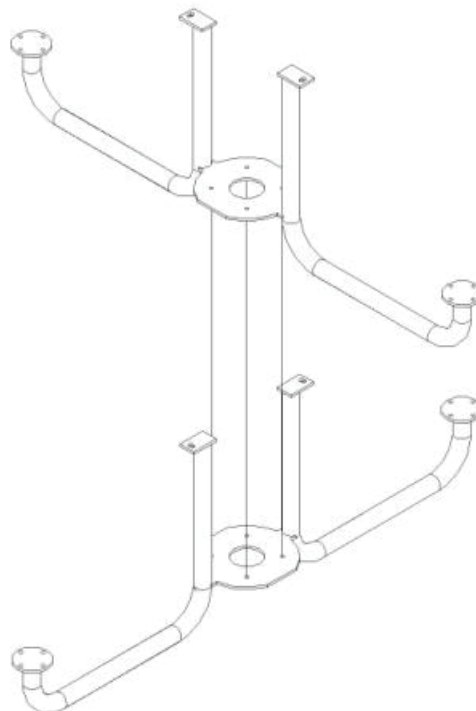
- Eight (8) 1/2" Stainless Steel Flat Washers
- Four (4) 1/2" Stainless Steel Nylon Lock Nuts
- Four (4) 1/2" x 1 1/2" Stainless Steel Hex Head Cap Screws
- Forty-four (44) 3/8" Stainless Steel Flat Washers
- Twenty (20) 3/8" x 1 1/2" Stainless Steel Hex Head Cap Screws
- Four (4) 3/8" x 1" Stainless Steel Hex Head Cap Screws
- Twenty (20) 3/8" Stainless Steel Hex Head Lock Nuts



Please abide by the following installation instructions:

### Braces:

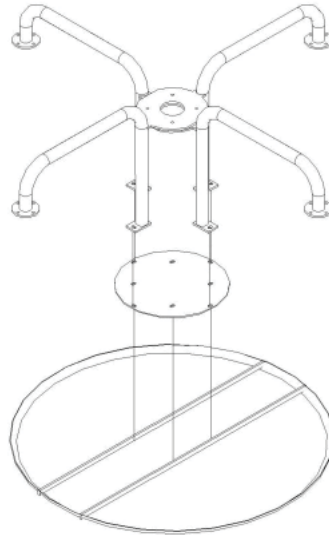
1. Place braces perpendicular to each other.
2. Pick up the brace with the center hub that is higher up the brace and put it on top of the other brace making sure that the holes in the hubs line up.
3. Place a 3/8" washer on a 3/8" x 1 1/2" cap screw and insert it through the holes in the hubs.
4. Place 3/8" washer over threaded end of cap screw, then add 3/8" nut. (Only hand-tighten nuts and bolts on this step.)



**Table:**

1. Place tabletop plate on pedestal, aligning the holes on the plate with the holes on the pedestal.
2. Add 1/2" flat washer to 1/2" x 1 1/2" cap screw and insert down through the holes in the plate.
3. Add 1/2" flat washer and 1/2" lock nut to underside of cap screws just inserted.
4. Add table top on top of plate aligning holes in the plate with the coupling nuts welded to the support straps on the bottom on the table top.
5. Add 3/8" washer to 3/8" x 1" cap screw and insert down through the hole in the table and pedestal.
6. After tightening table top down, tighten table plate bolts and nuts.

(shown upside down for clarity)



**Seat:**

1. Place curved seat on top of seat pedestal, matching up holes on both pieces.
2. Add 3/8" washer to 3/8" x 1 1/2" cap screw and insert through holes in seat and pedestal.
3. Slide 3/8" washer over exposed threads and add 3/8" lock nut and tighten.

