

GENERAL INSTALLATION INSTRUCTIONS - Easton Table Set

PLEASE READ THESE STEPS BEFORE PROCEEDING

Included with your Easton Table Set is the following hardware:

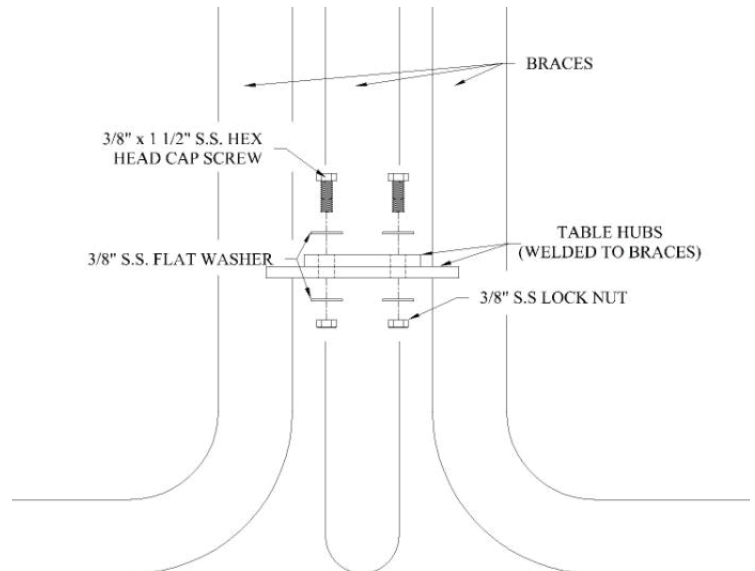
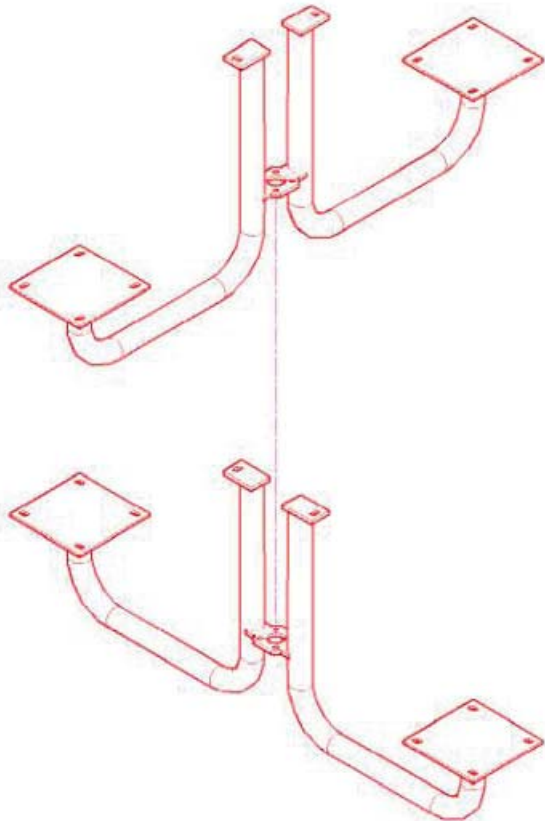
- Thirty-two (32) 1/2" Stainless Steel Flat Washers
- Sixteen (16) 1/2" Stainless Steel Nylon Lock Nuts
- Sixteen (16) 1/2" x 1 1/2" Stainless Steel Hex Head Cap Screws
- Twelve (12) 3/8" Stainless Steel Flat Washers
- Four (4) 3/8" x 1 1/2" Stainless Steel Hex Head Cap Screws
- Four (4) 3/8" x 1" Stainless Steel Hex Head Cap Screws
- Four (4) 3/8" Stainless Steel Hex Head Lock Nuts



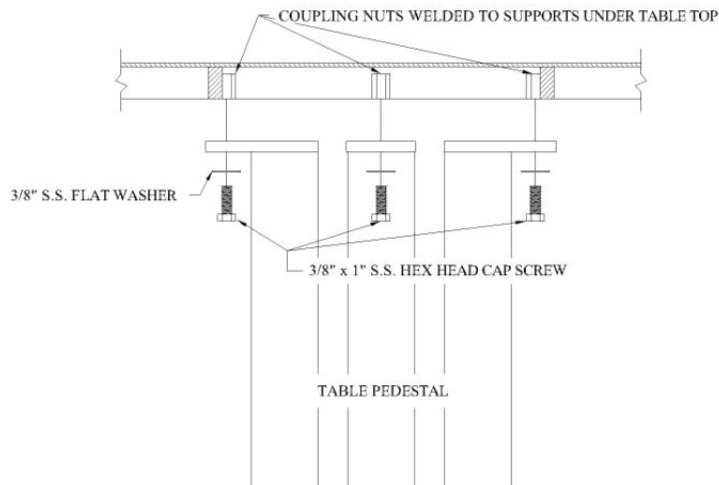
Please abide by the following installation instructions:

Braces:

1. Place braces perpendicular to each other.
2. Pick up the brace with the center hub that is higher up the brace and put it on top of the other brace making sure that the holes in the hubs line up.
3. Place a 3/8" washer on a 3/8" x 1 1/2" cap screw and insert it through the holes in the hubs.
4. Place 3/8" washer over threaded end of cap screw, then add 3/8" nut. (Only hand-tighten nuts and bolts on this step.)



- Table:**
1. Place tabletop on pedestal, aligning the holes on the coupling nuts of the underside of the table top with the holes on the pedestal.
 2. Add 3/8" washer to 3/8" x 1" cap screw and insert down through the hole in the table and pedestal.
 3. After tightening table top down, tighten brace bolts and nuts.



- Seat:**
1. Place seat on top of pedestal, matching up holes.
 2. Add 1/2" washer to 1/2" x 1 1/2" cap screw and insert through holes in seat and pedestal.
 3. Slide 1/2" washer over exposed threads and add 1/2" lock nut and tighten.

